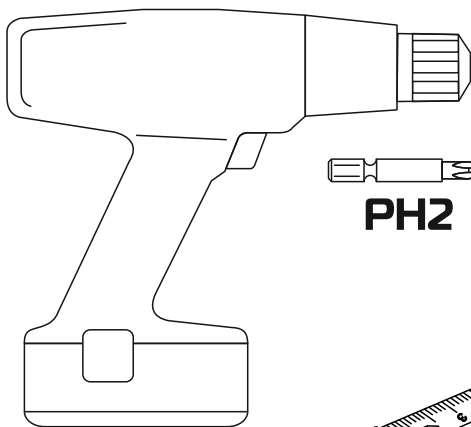
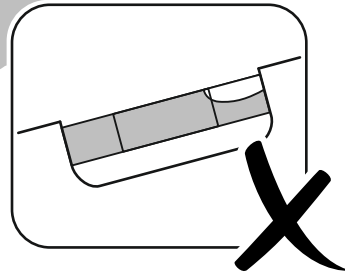
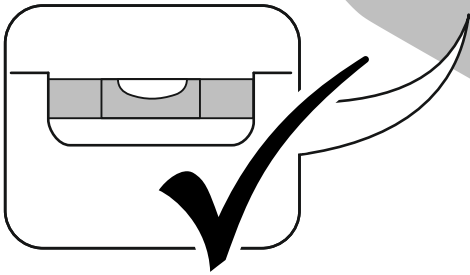
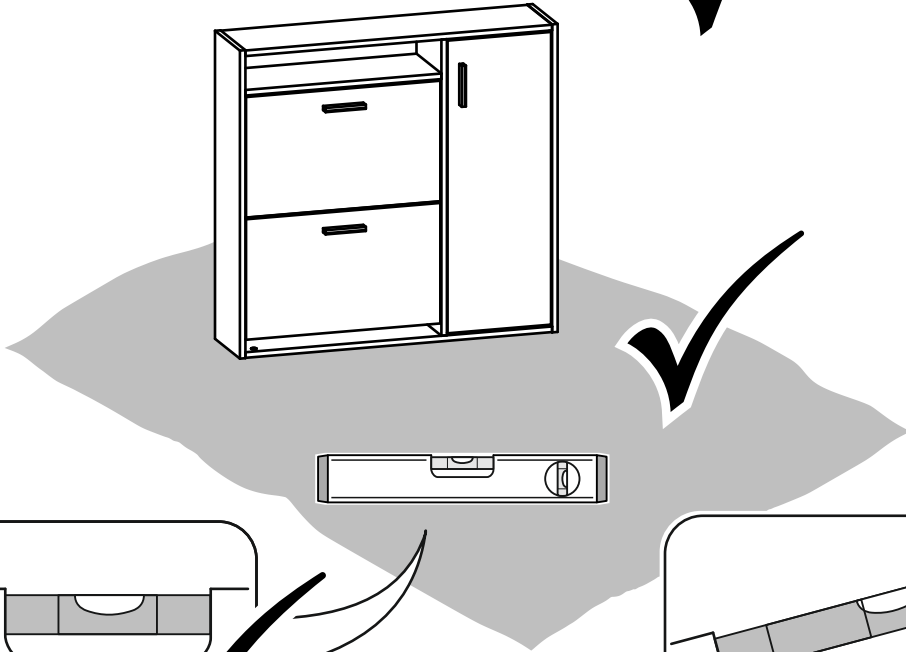
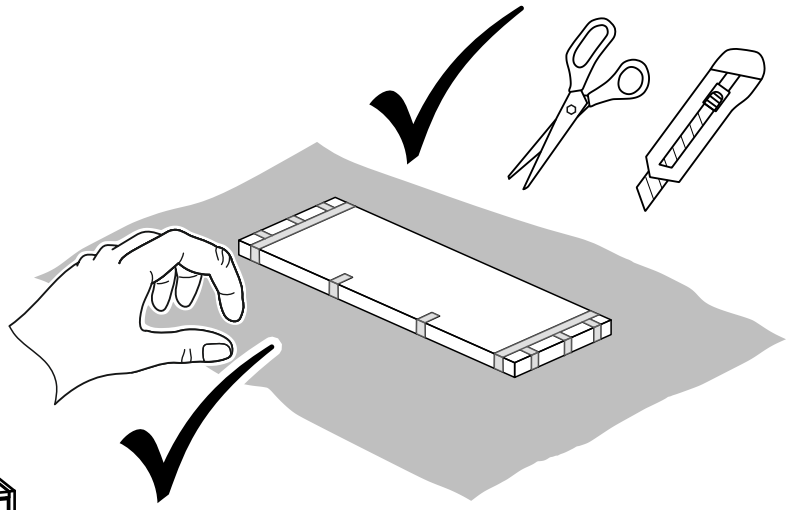
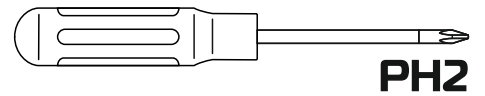
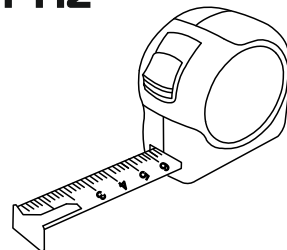


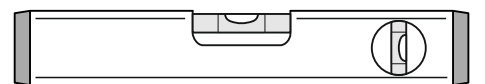
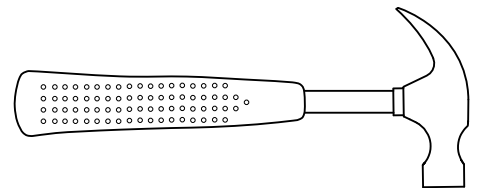
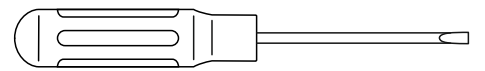
45-60 min

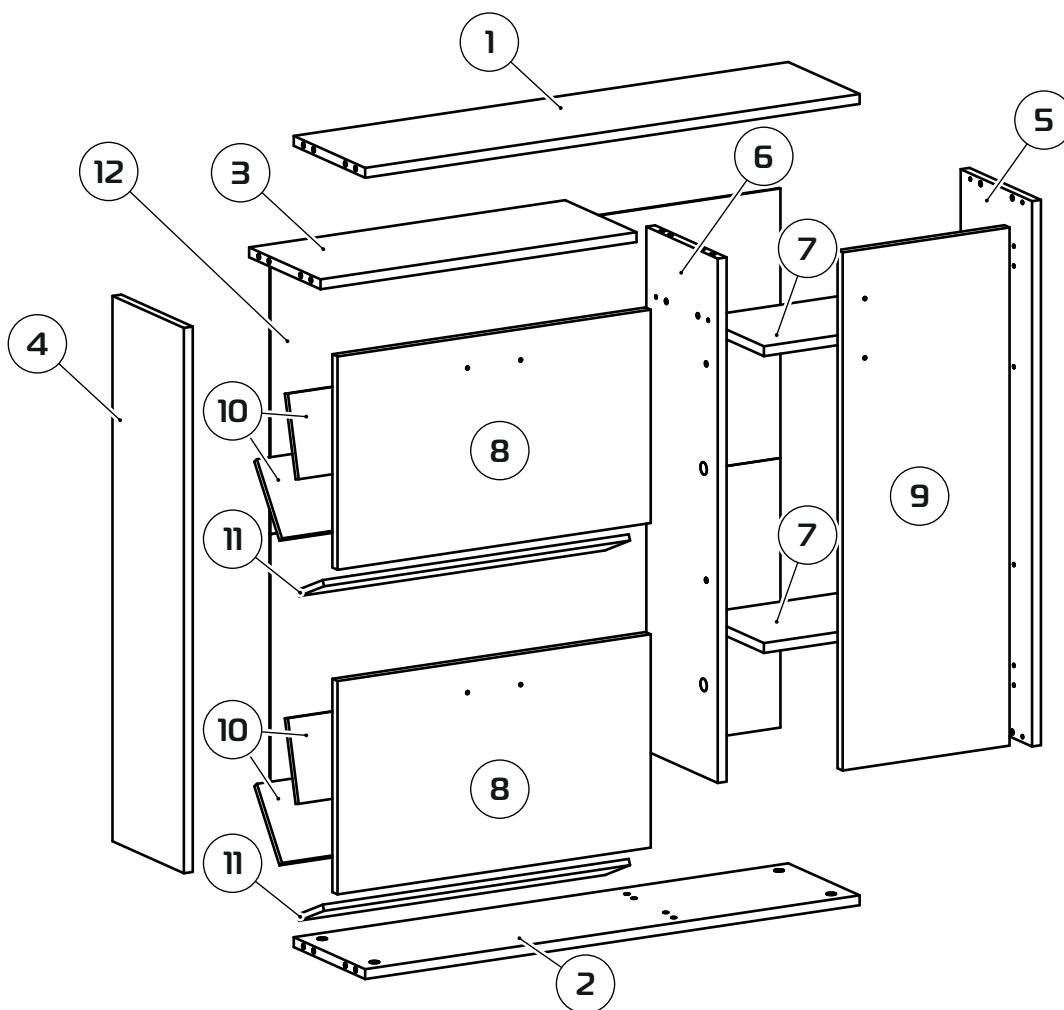


PH2



PH2





① 892x223x16 (x1)

② 892x223x16 (x1)

③ 570x223x16 (x1)

④ 882x223x16 (x1)

⑤ 882x223x16 (x1)

⑥ 844x223x16 (x1)

⑦ 305x205x16 (x2)

⑧ 565x345x16 (x2)

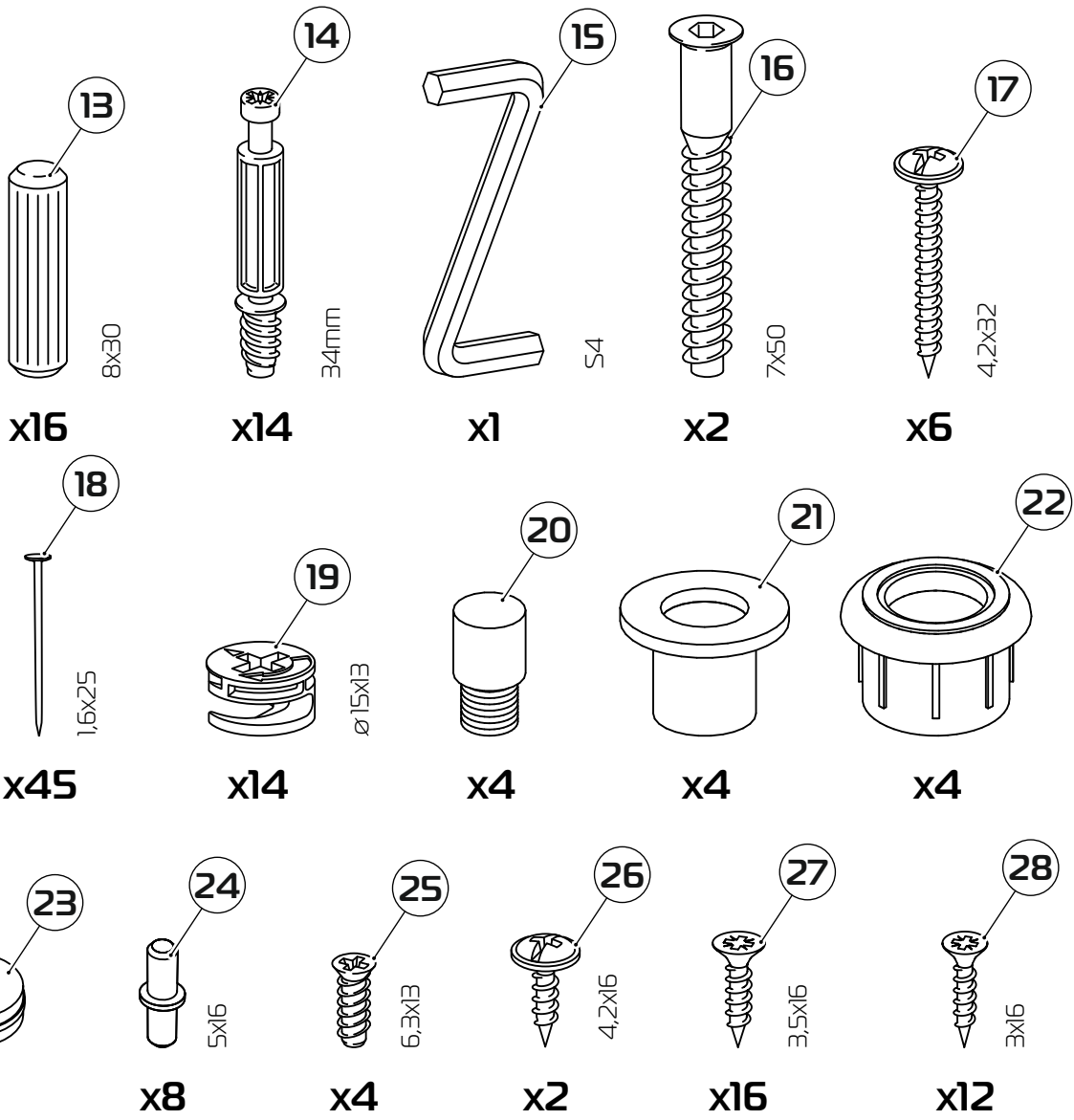
⑨ 838x345x16 (x1)

⑩ 552x135x10 (x4)

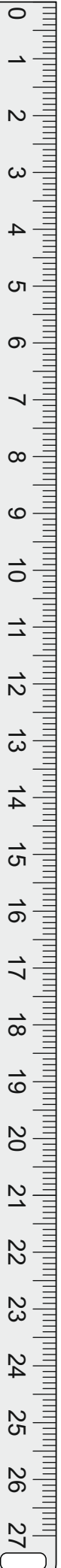
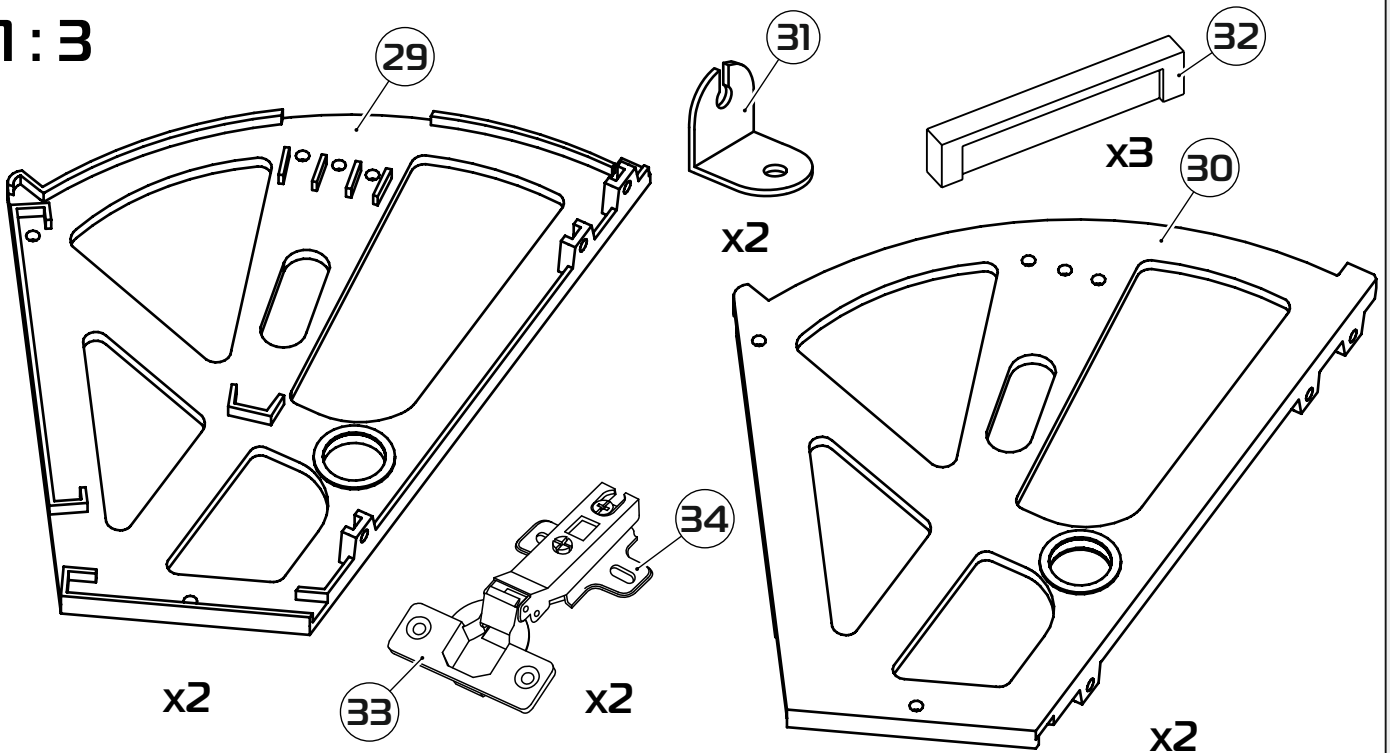
⑪ 552x85x10 (x2)

⑫ 920x436x3 (x1)

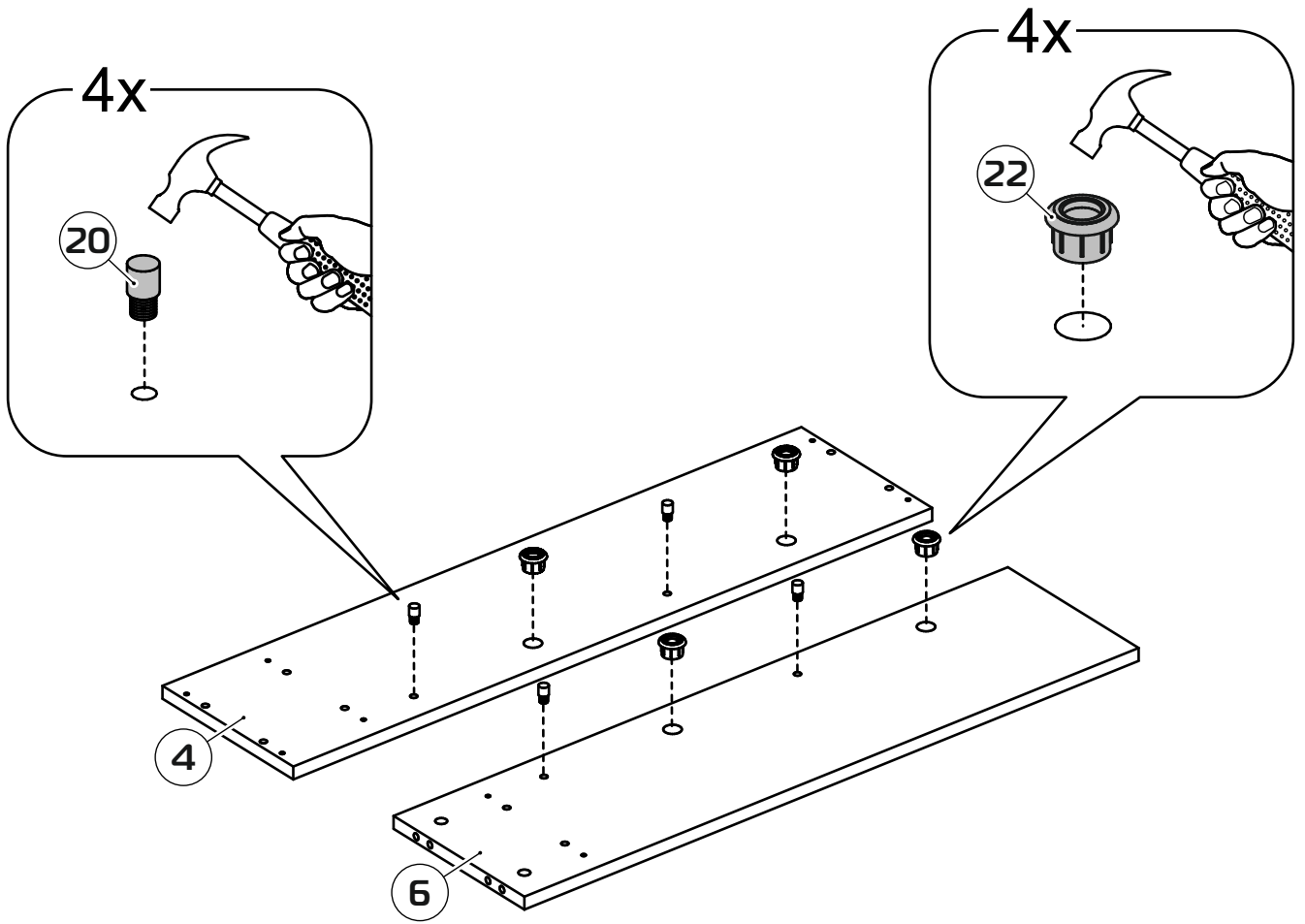
1:1



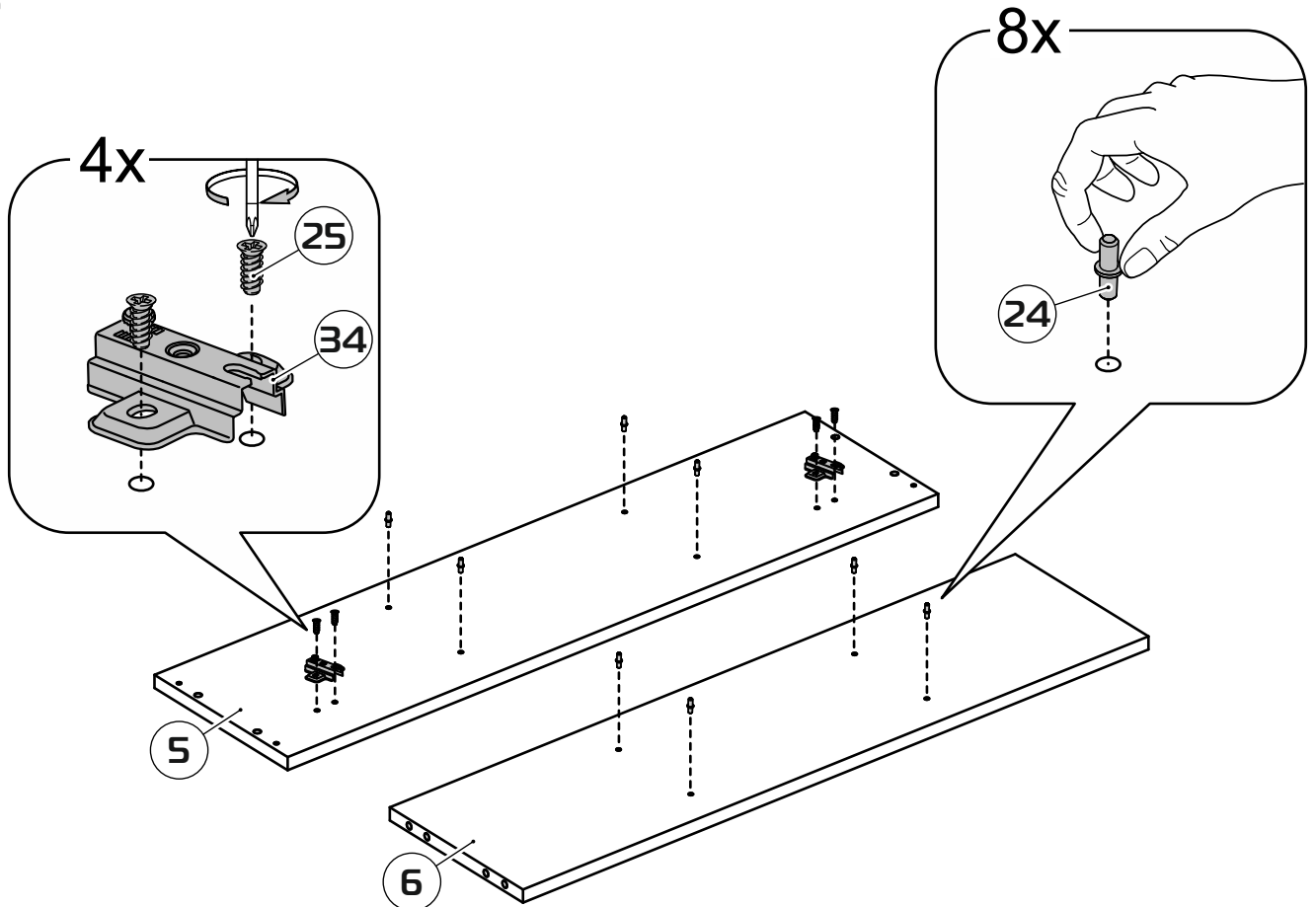
1:3



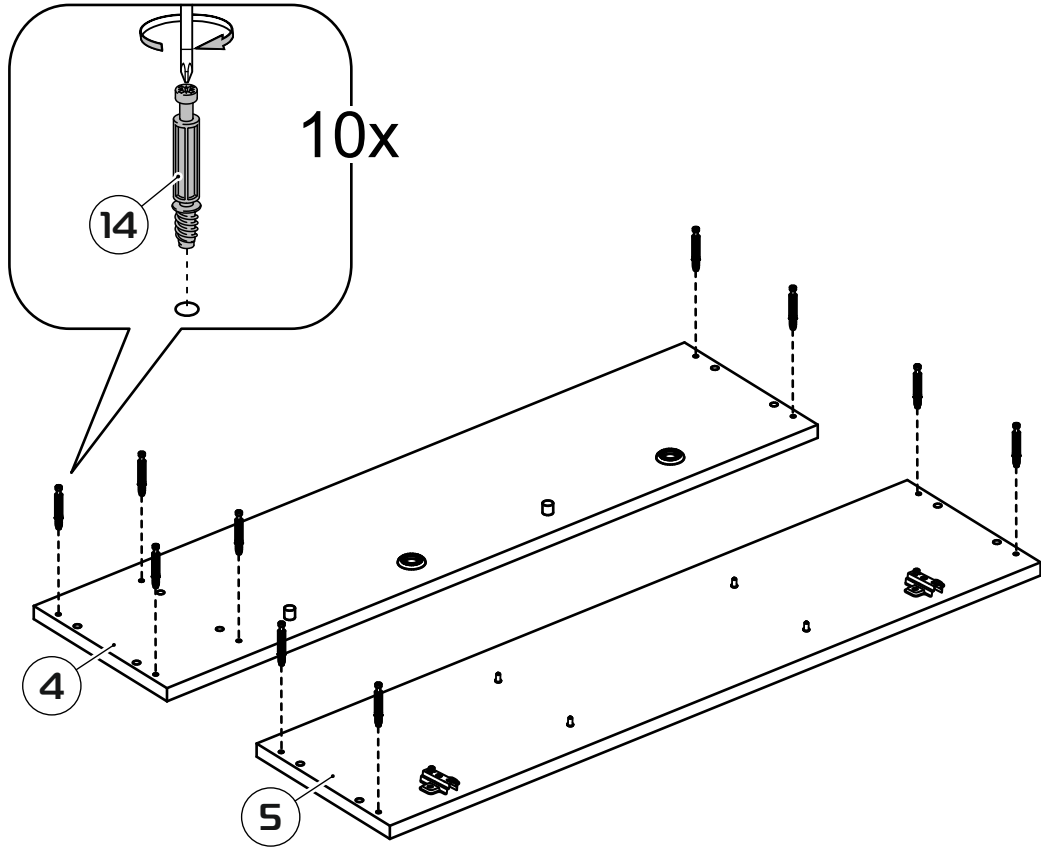
1



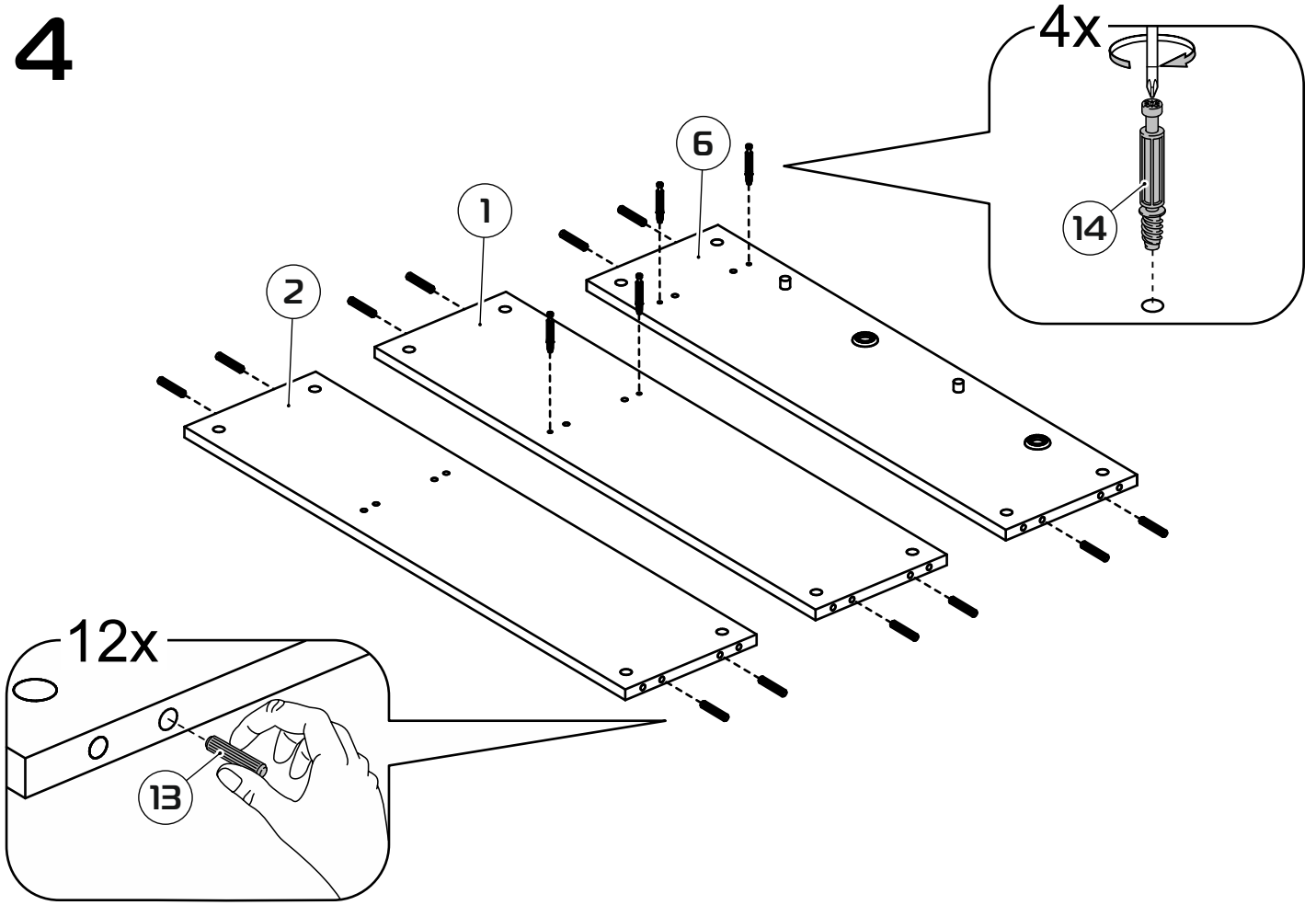
2



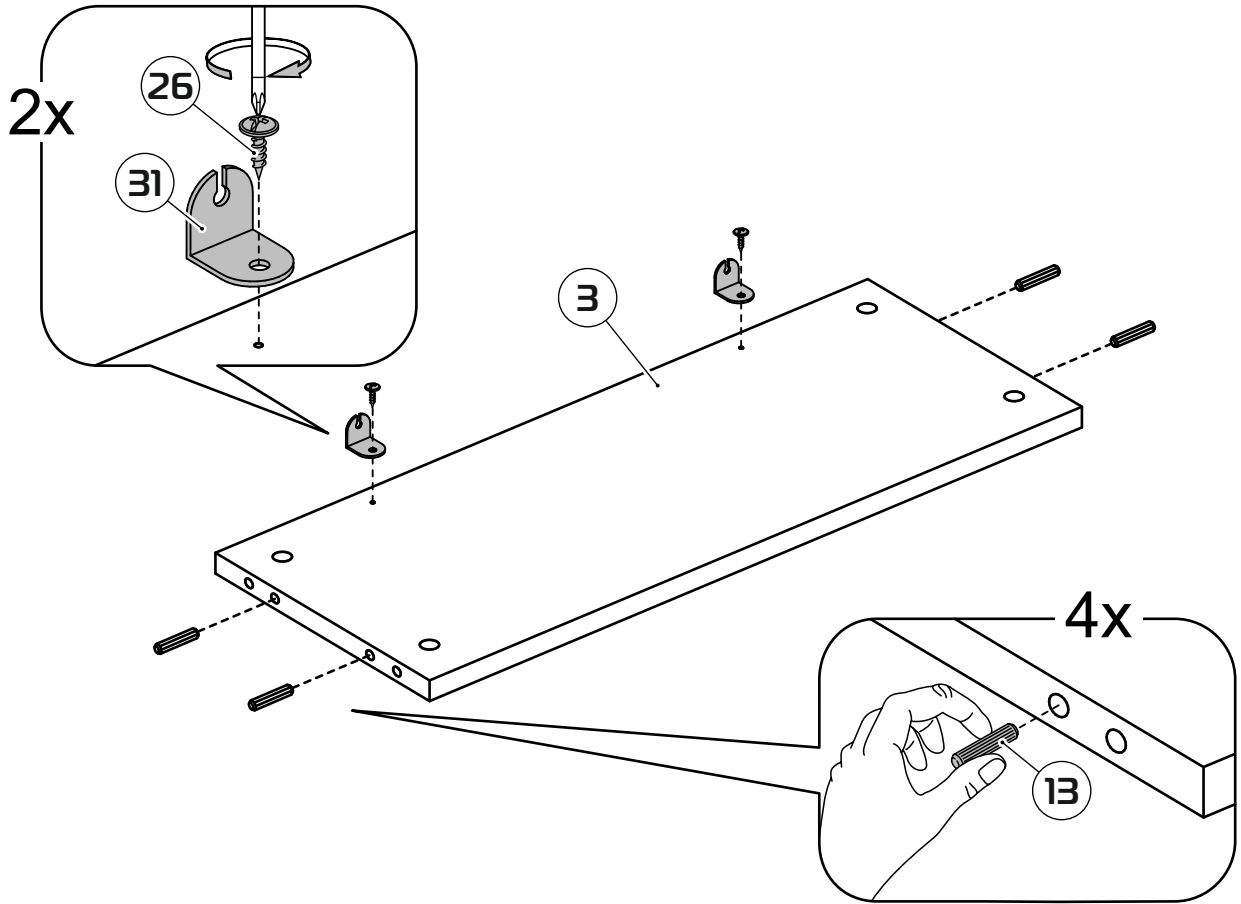
3



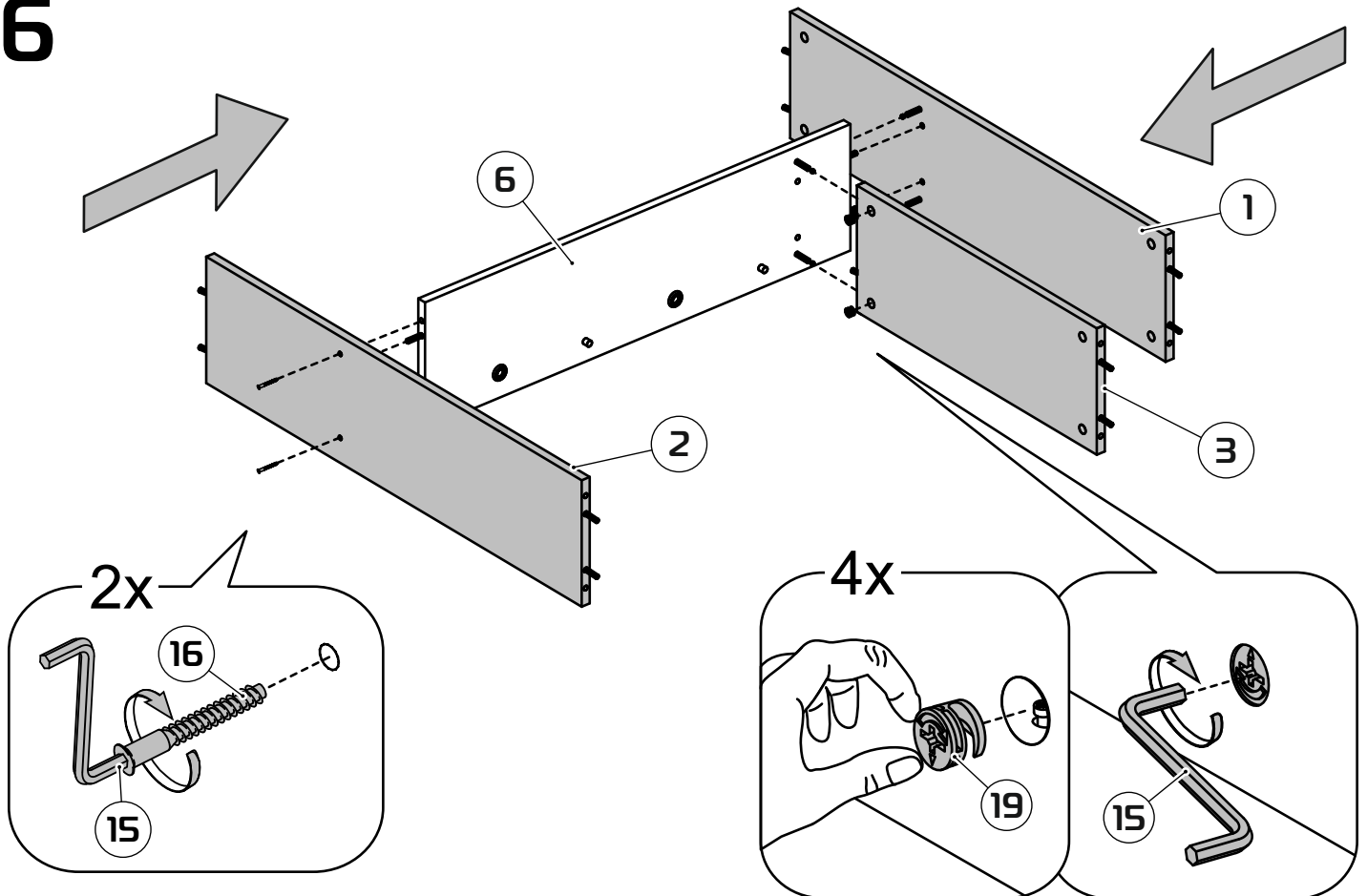
4



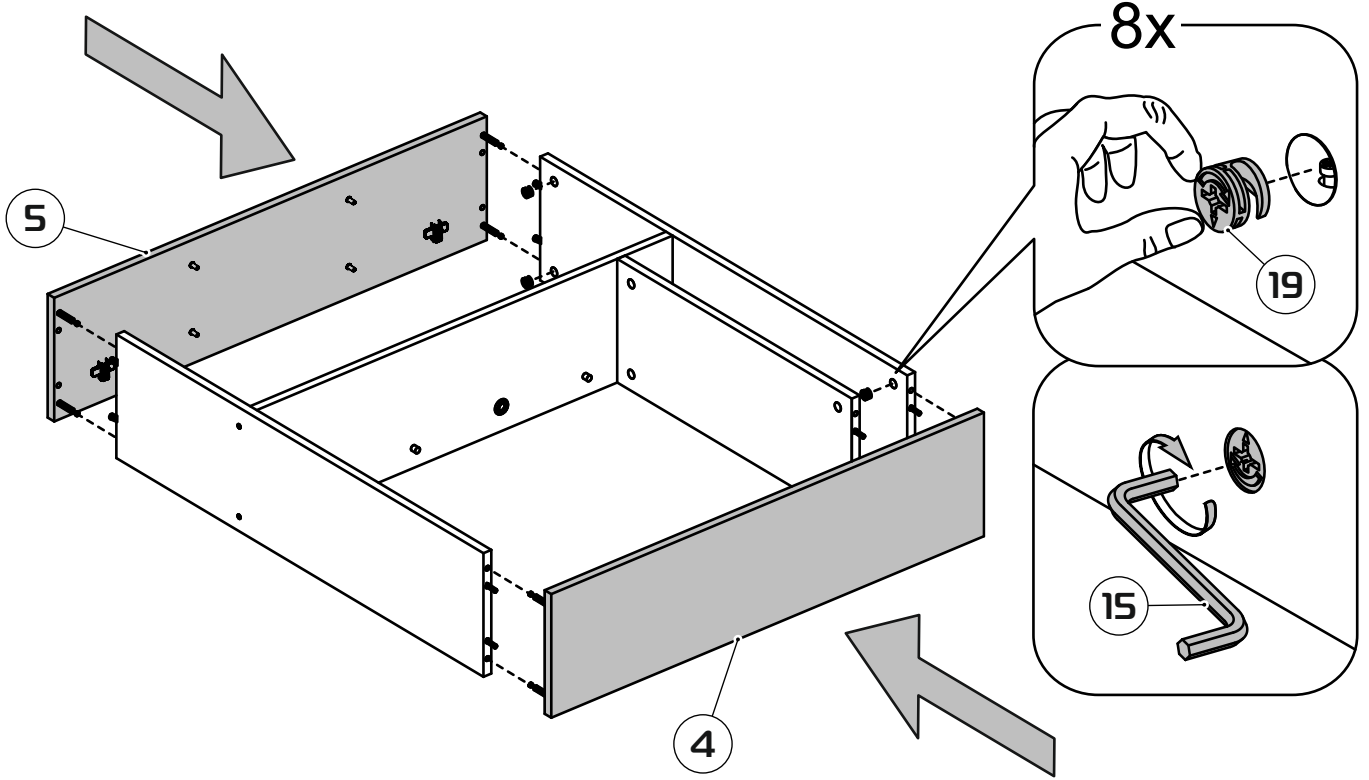
5



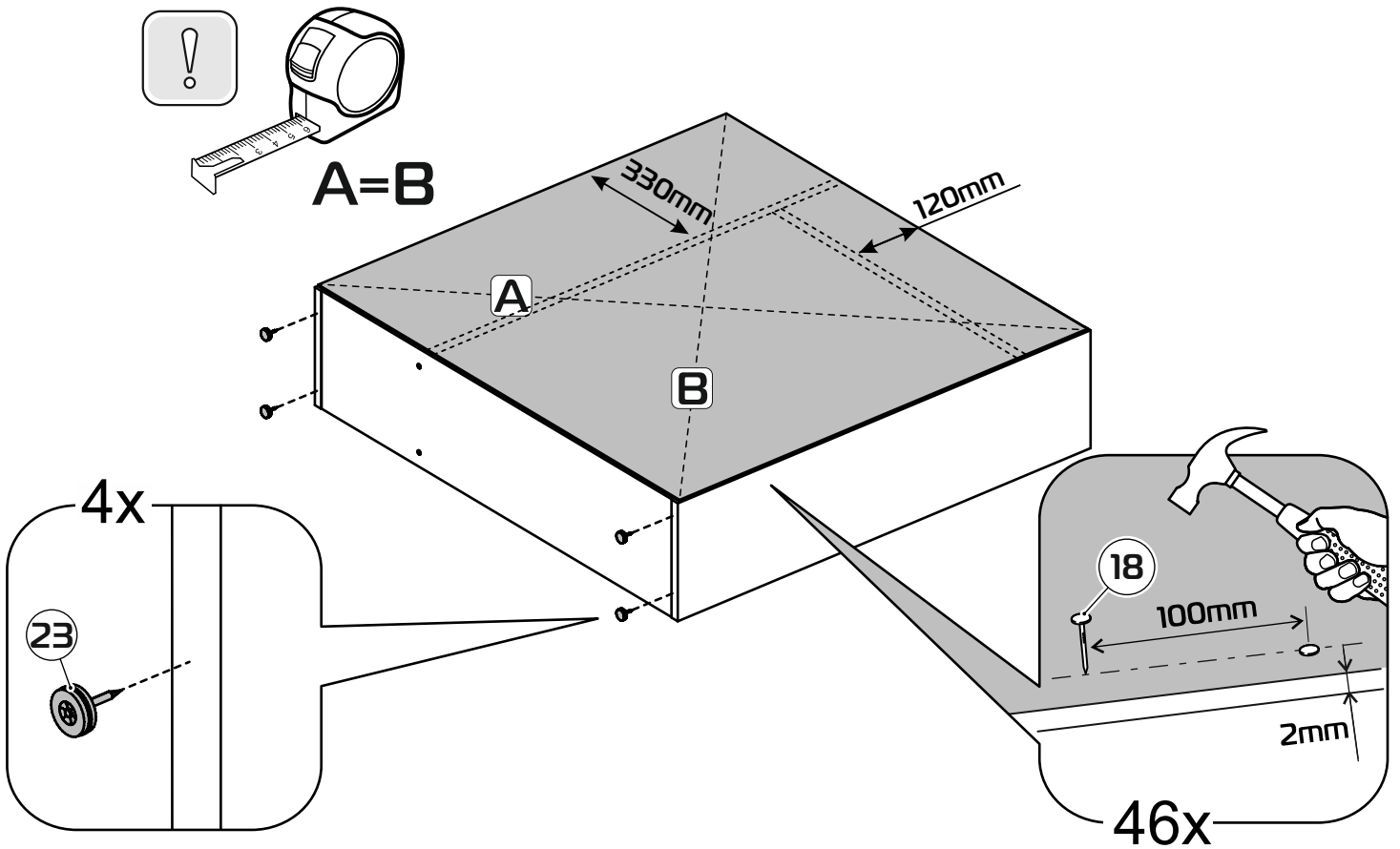
6

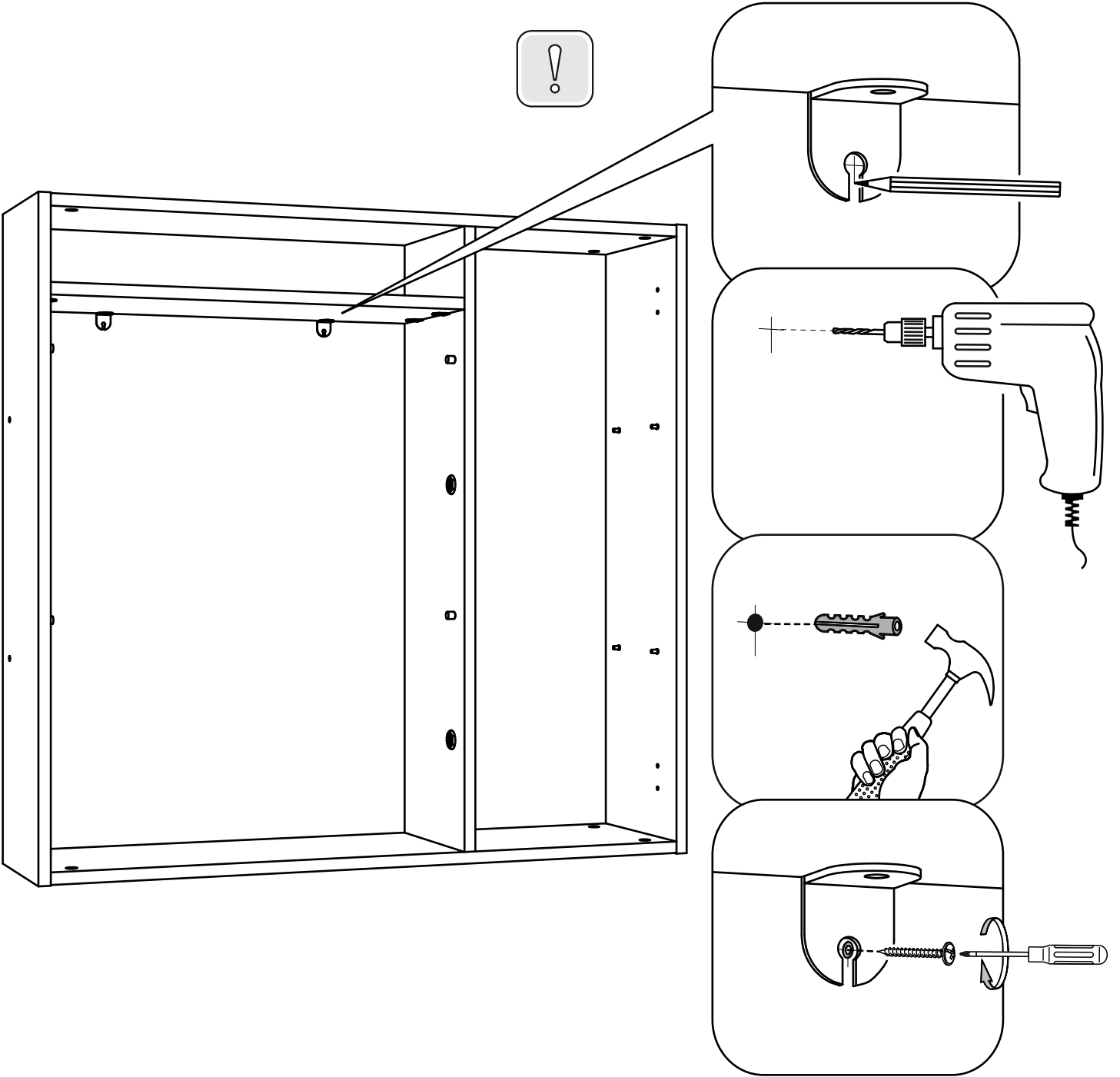


# 7



# 8







12

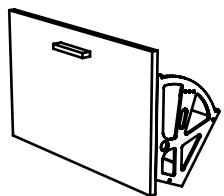


29 27

6x

29

2x



30

8

2x

17

31

13

6x

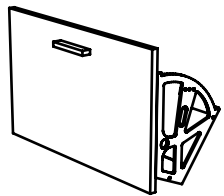


27 28

11

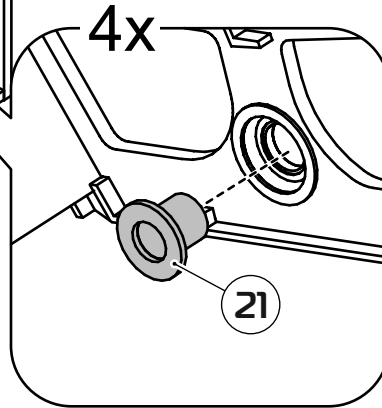
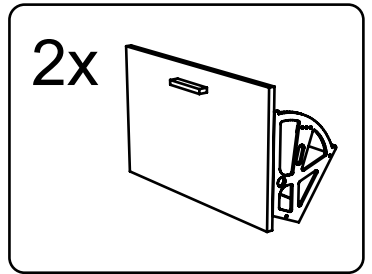
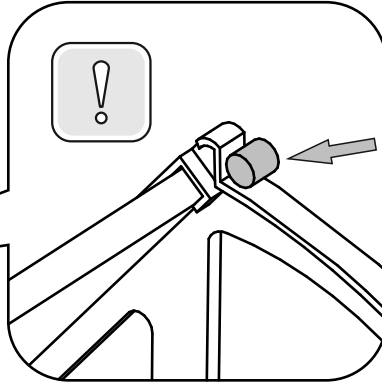
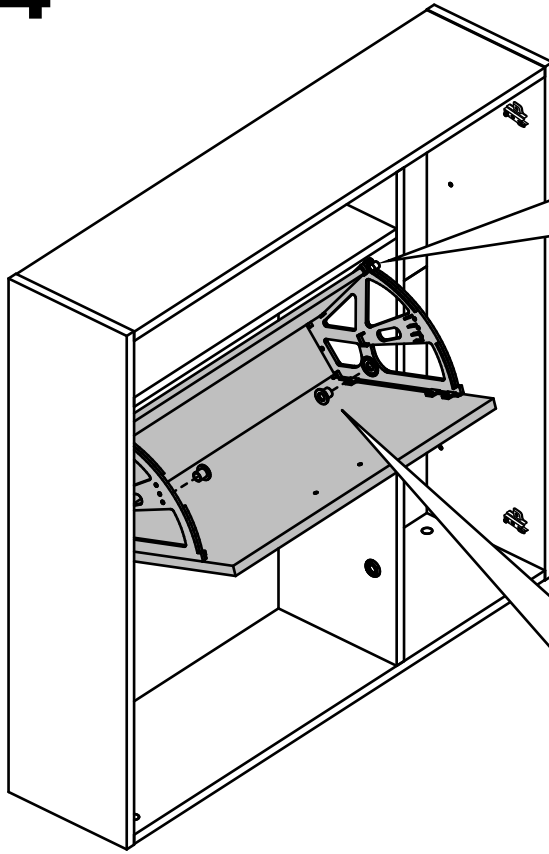
10

2x

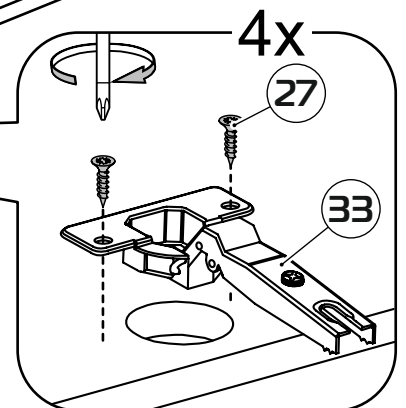
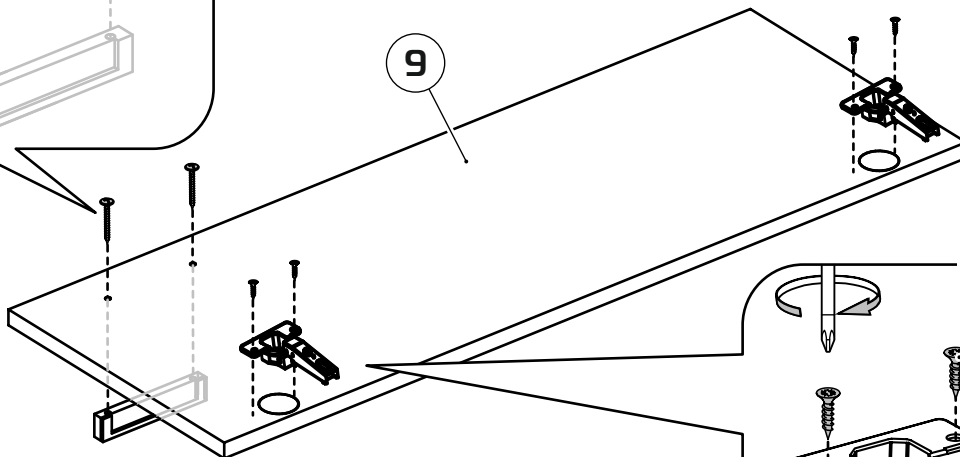
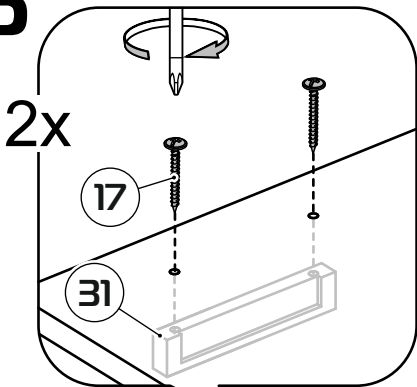


10

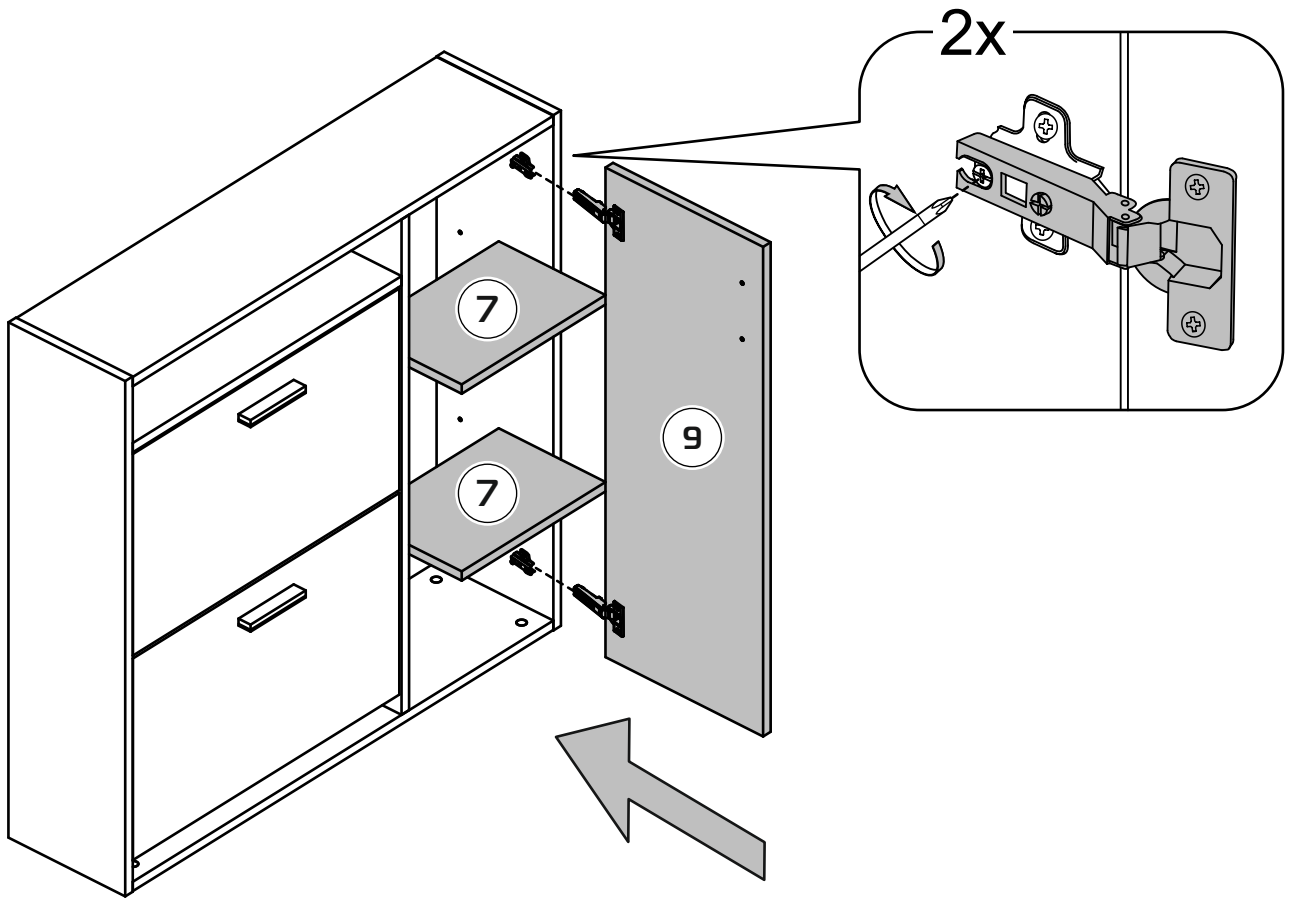
14



15



# 16



# 17

