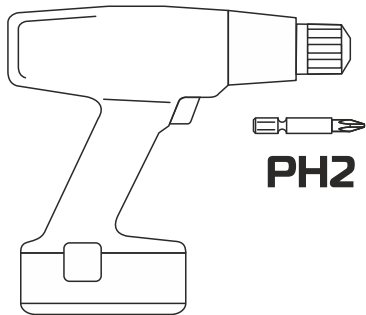
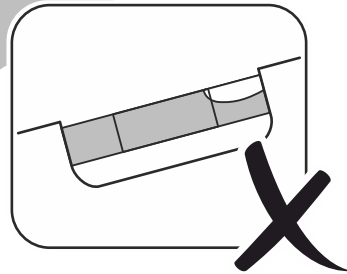
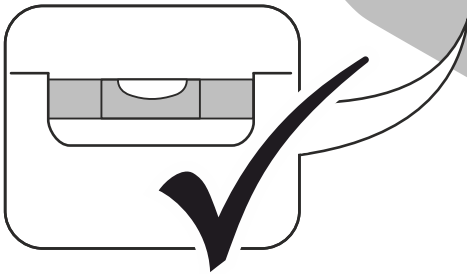
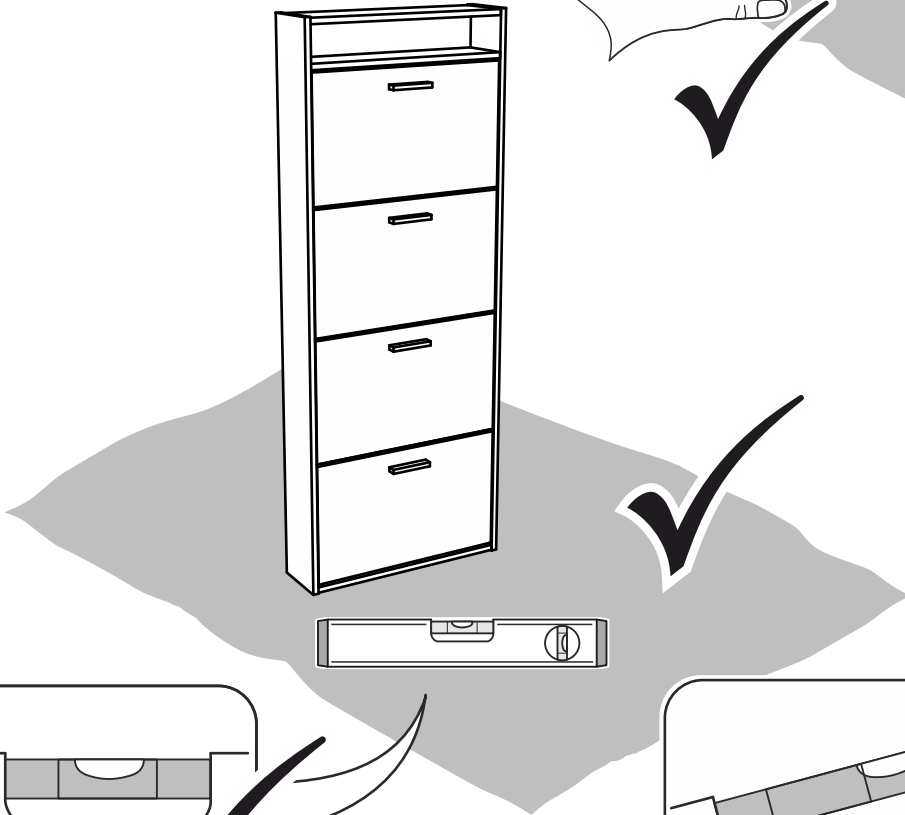
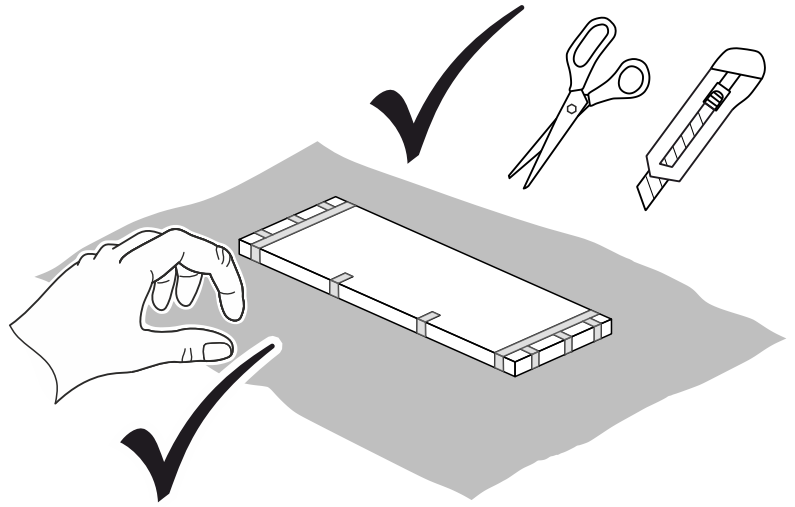
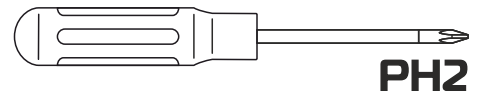


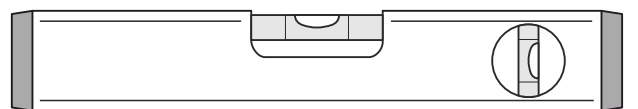
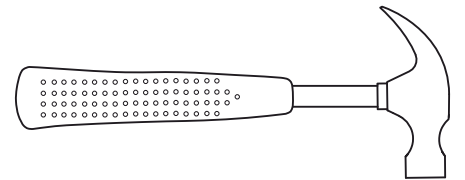
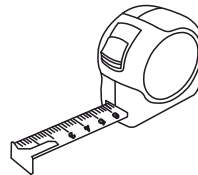
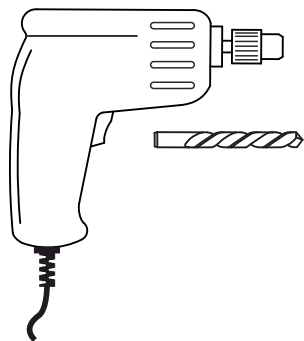
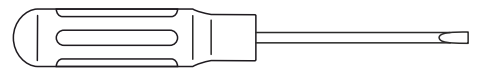
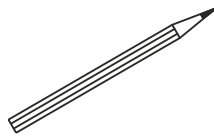
45-60 min

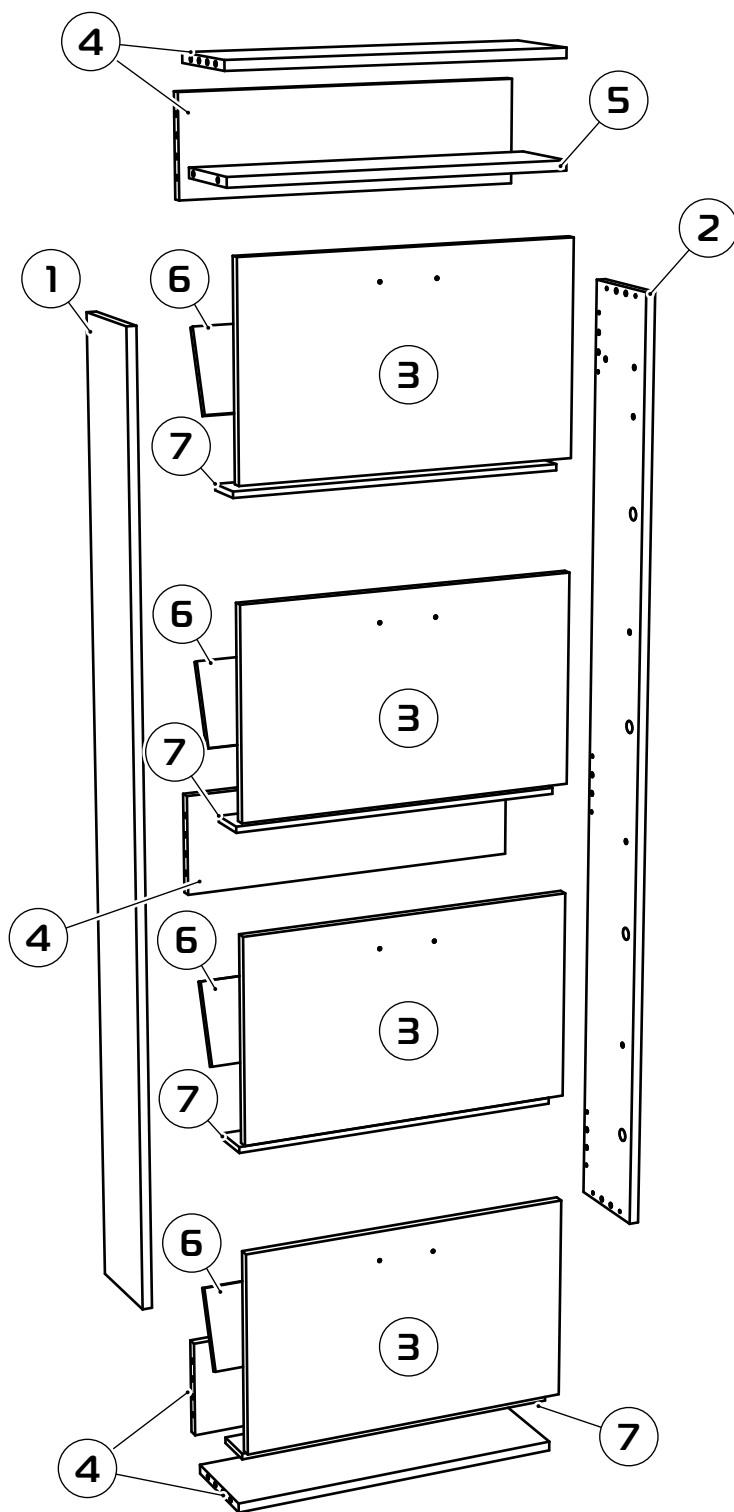


PH2



PH2





① 1564x165x16 (x1)

② 1564x165x16 (x1)

③ 345x565x16 (x4)

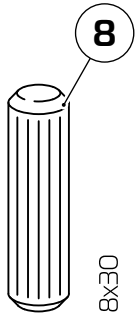
④ 569x164x16 (x5)

⑤ 569x147x16 (x1)

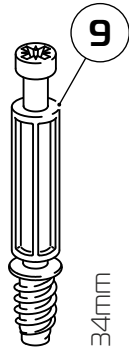
⑥ 553x138x10 (x4)

⑦ 553x70x10 (x4)

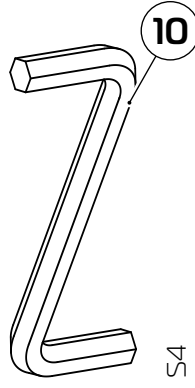
1:1



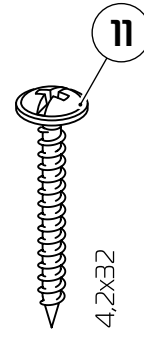
x24



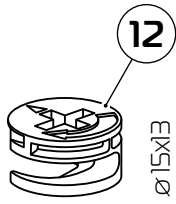
x20



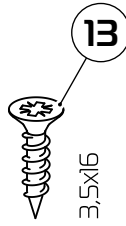
x1



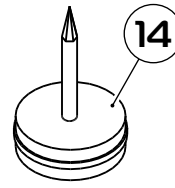
x8



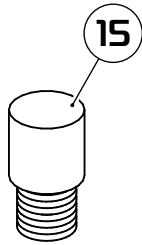
x20



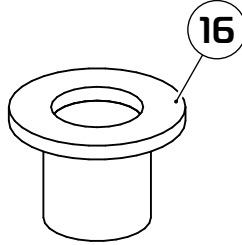
x56



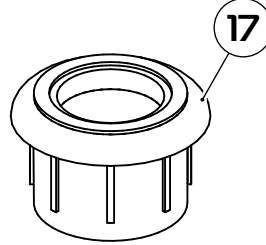
x4



x8

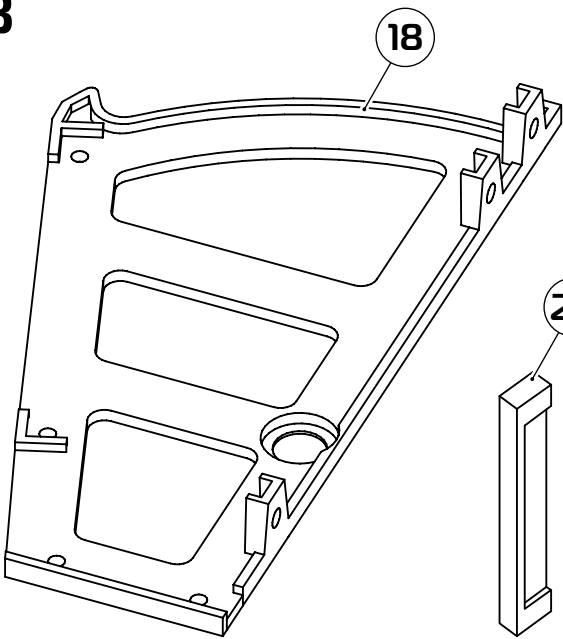


x8

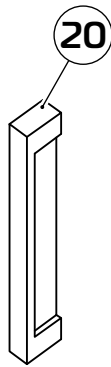


x8

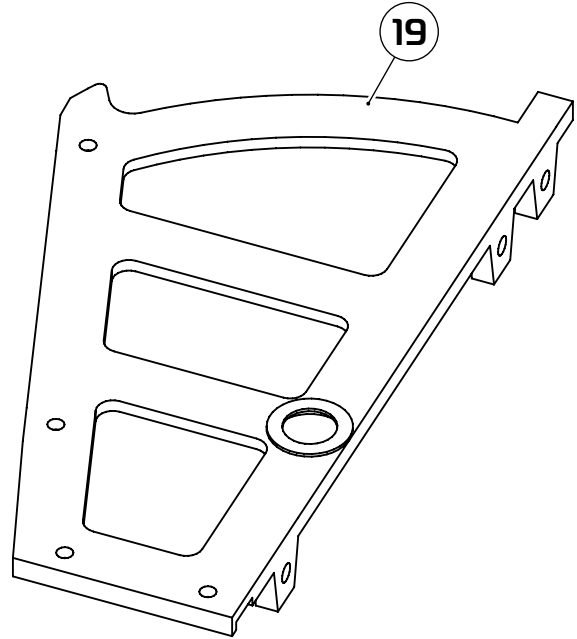
1:3



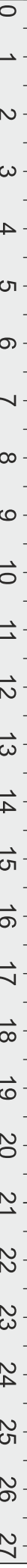
x4



x4



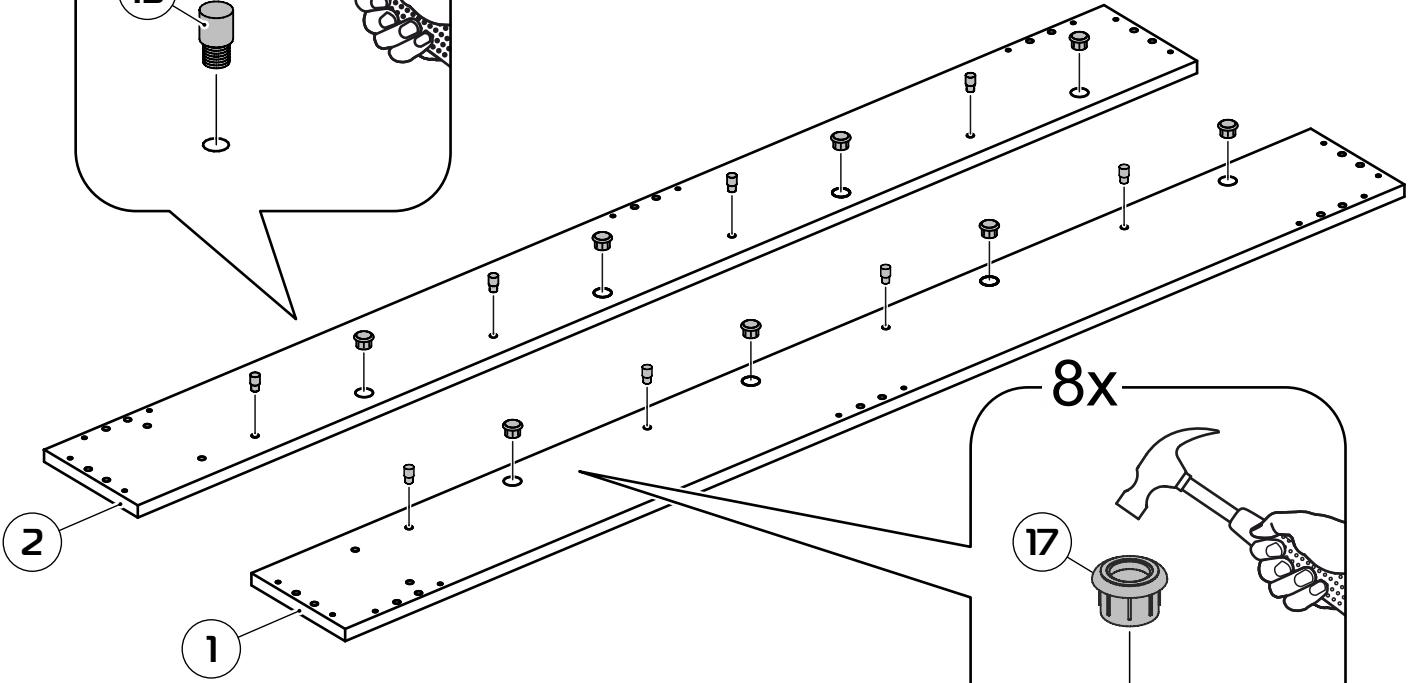
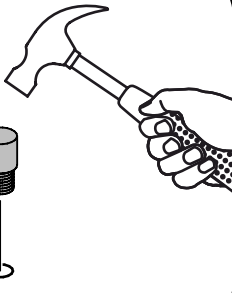
x4



1

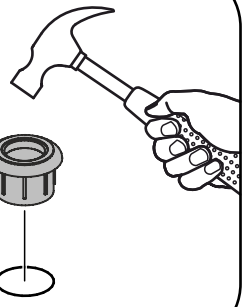
8x

15



8x

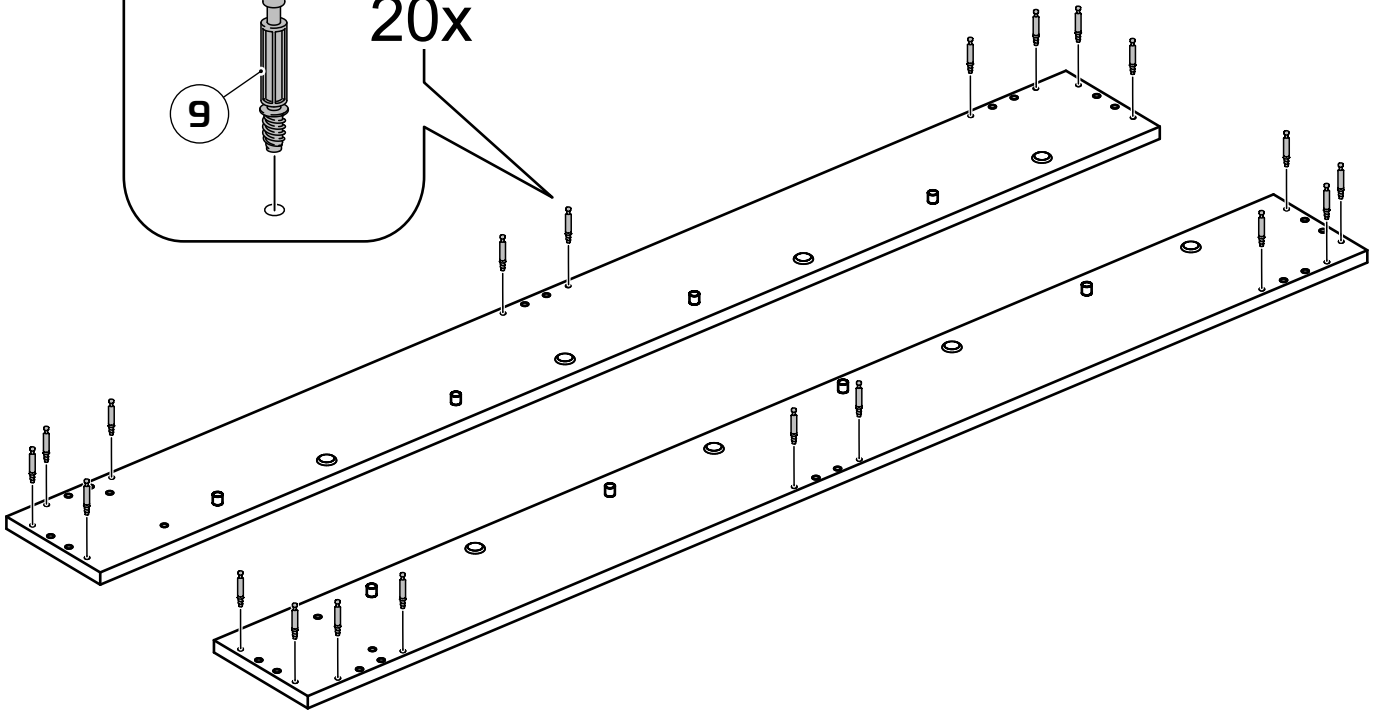
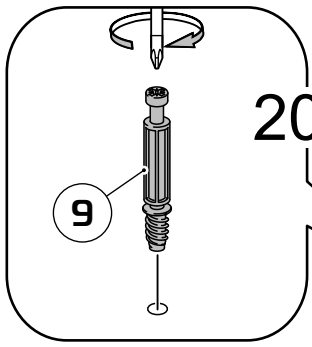
17



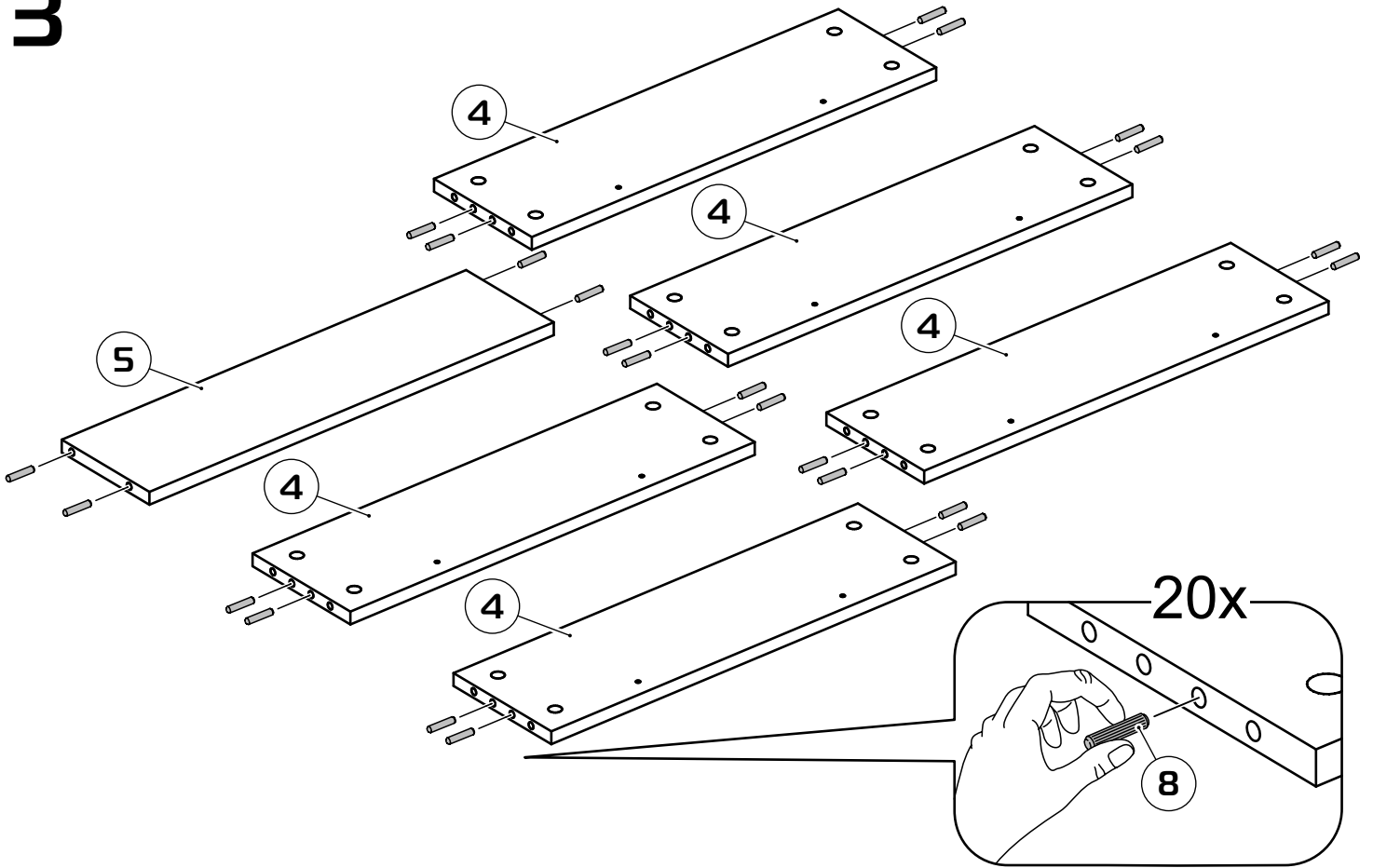
2

20x

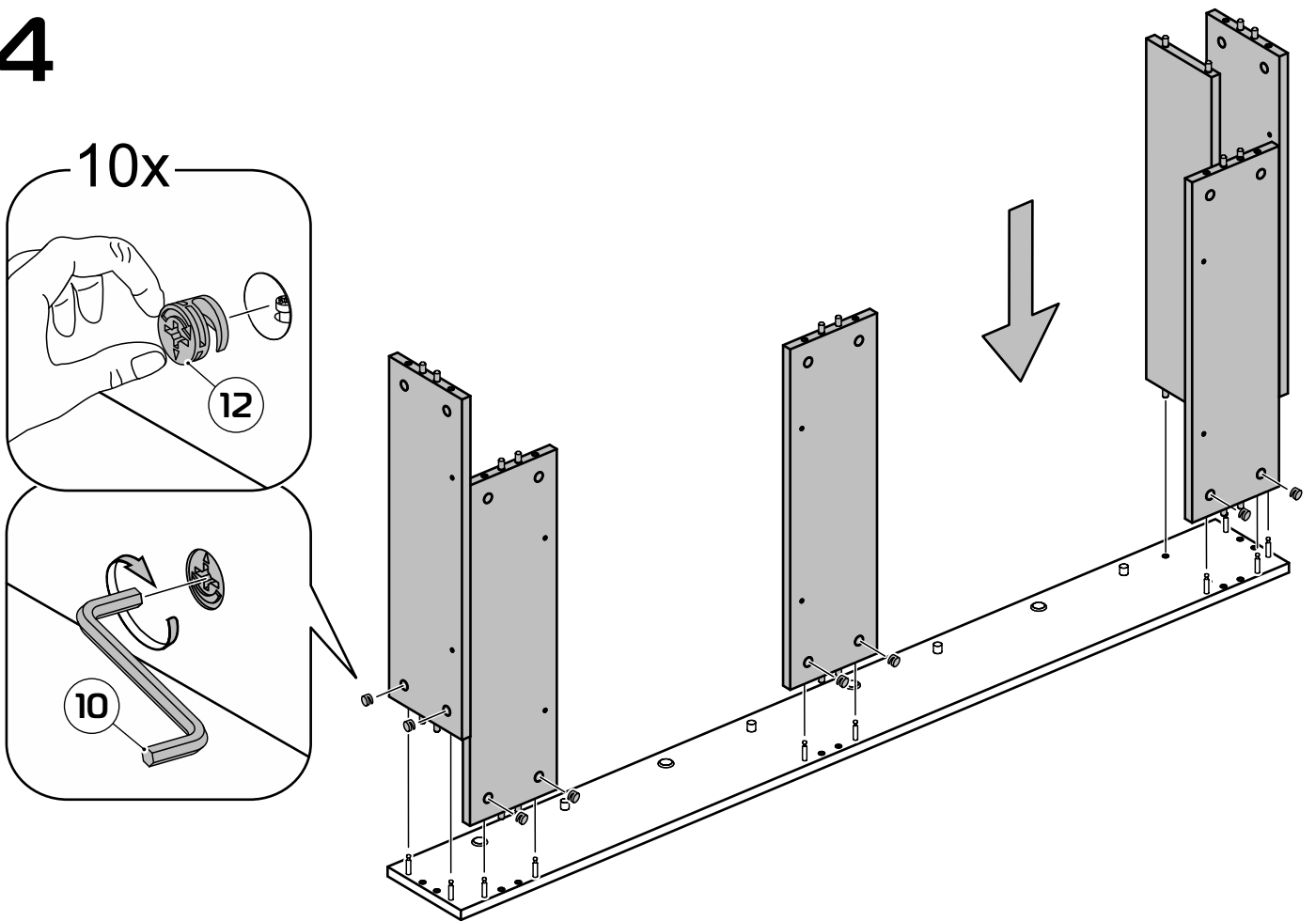
9



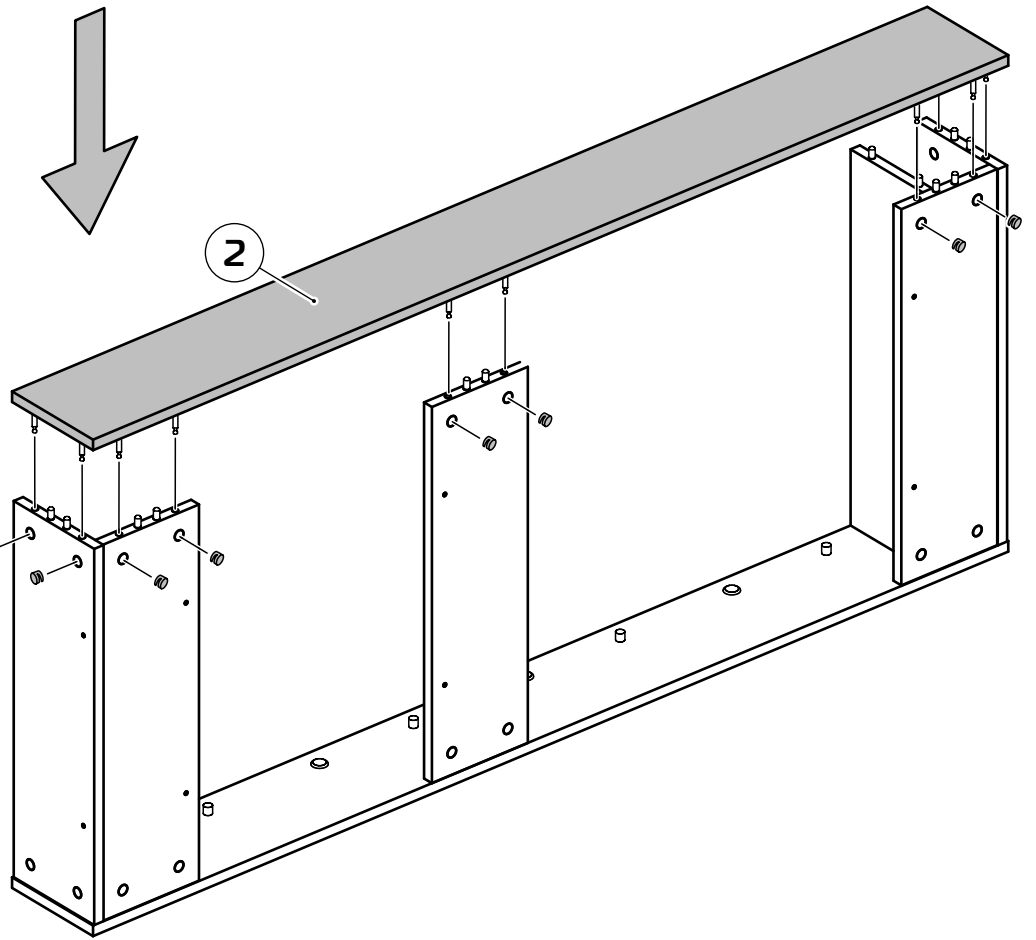
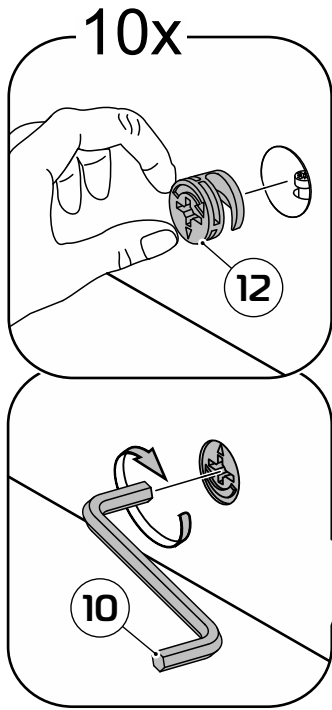
3



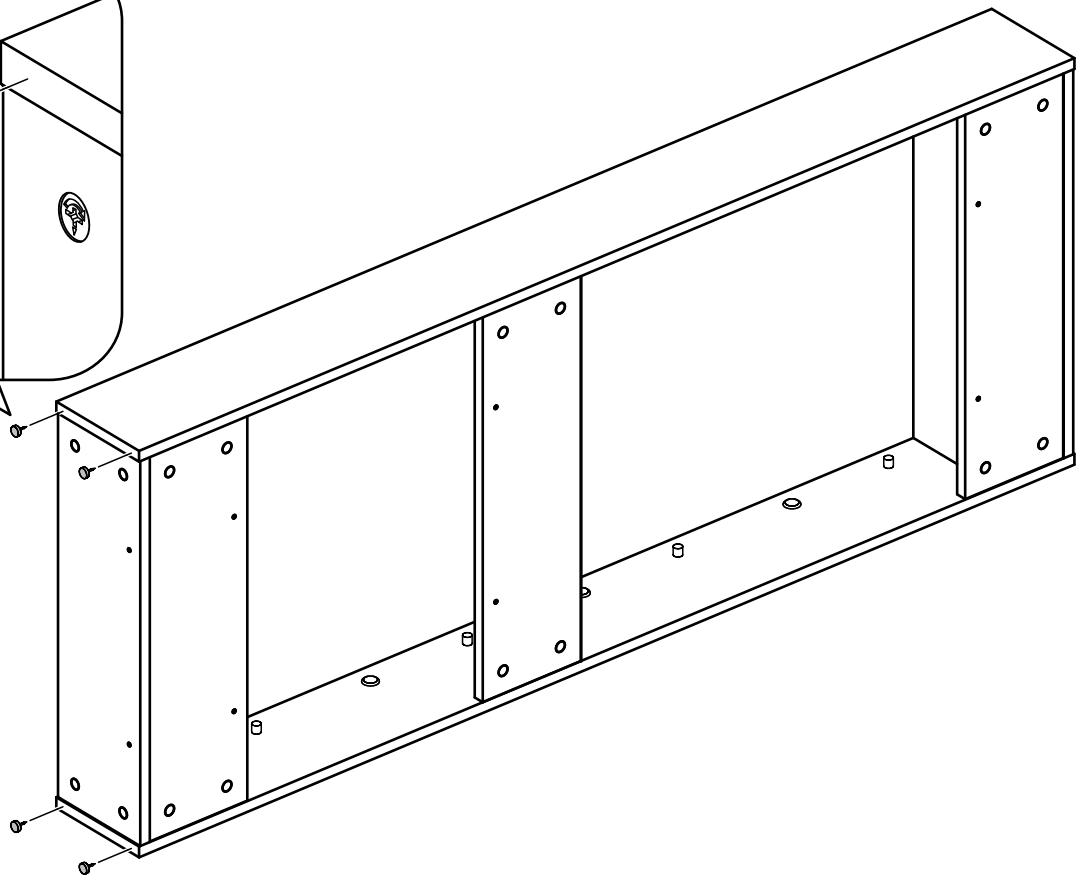
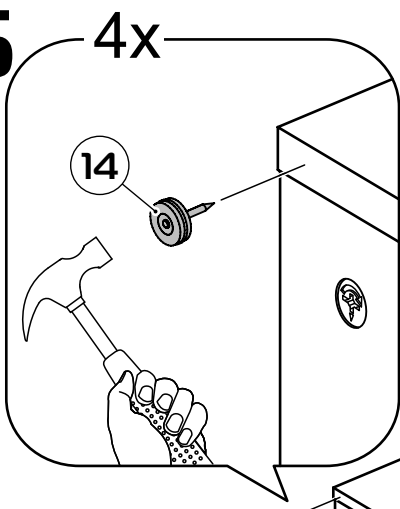
4



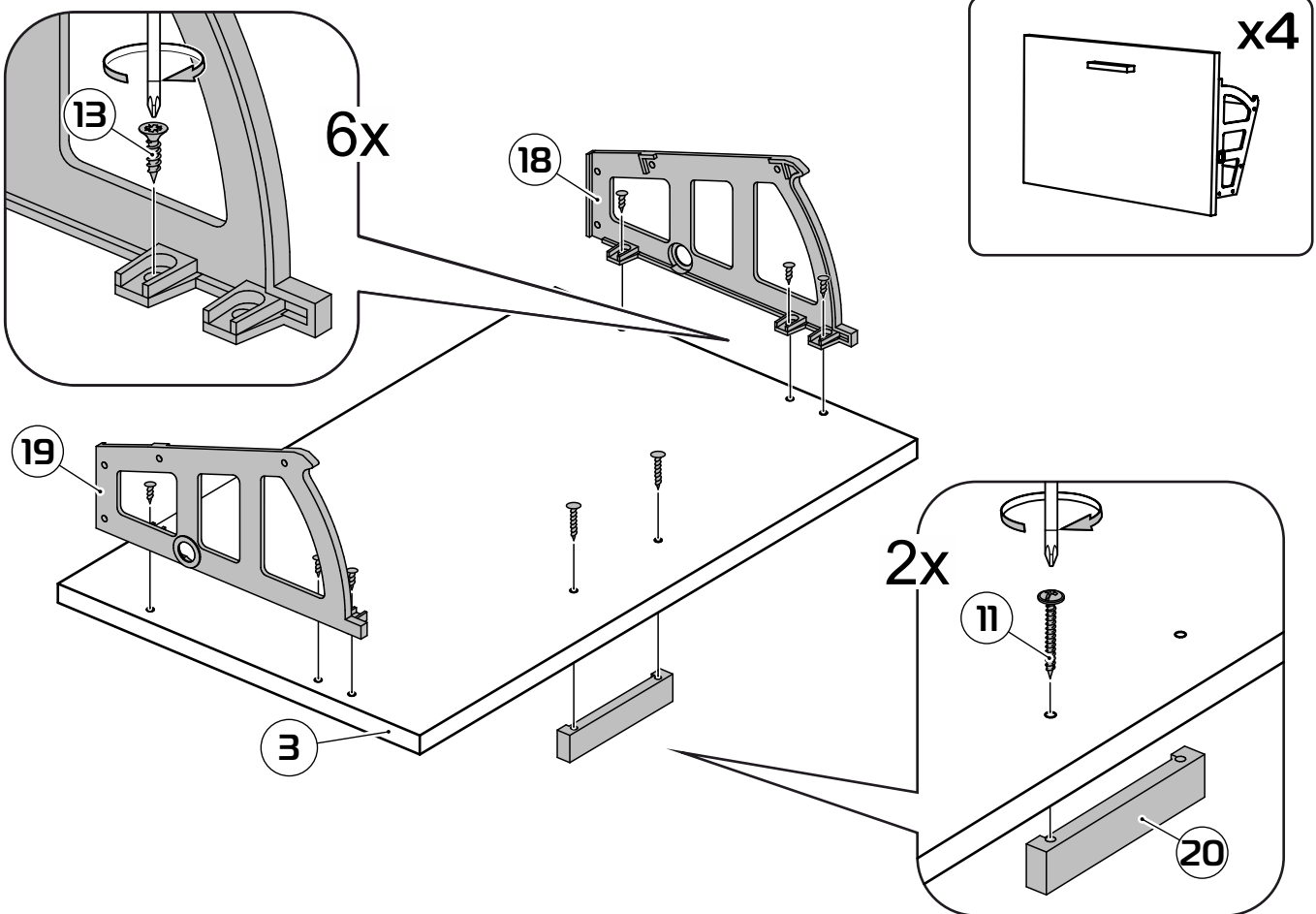
5



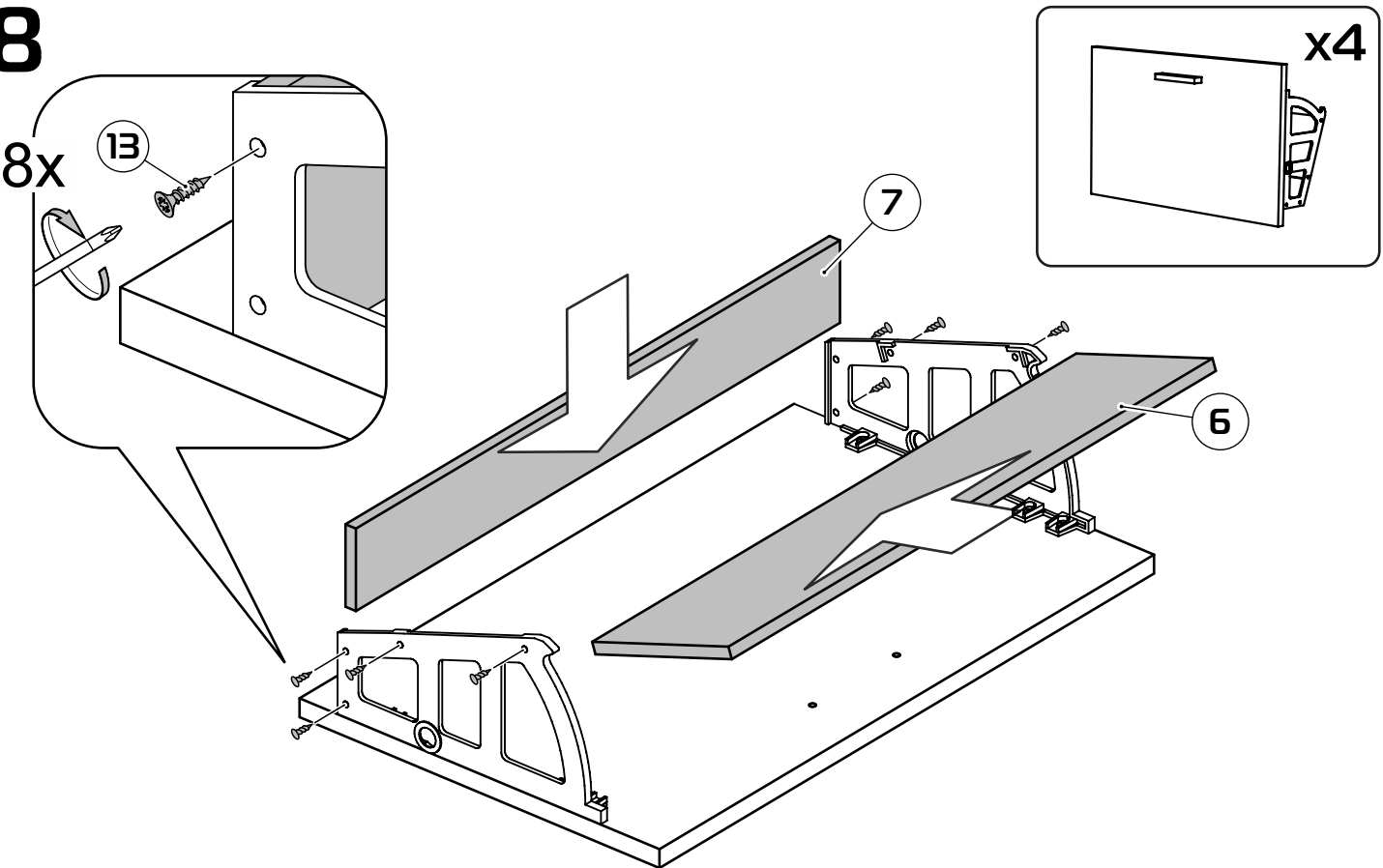
6



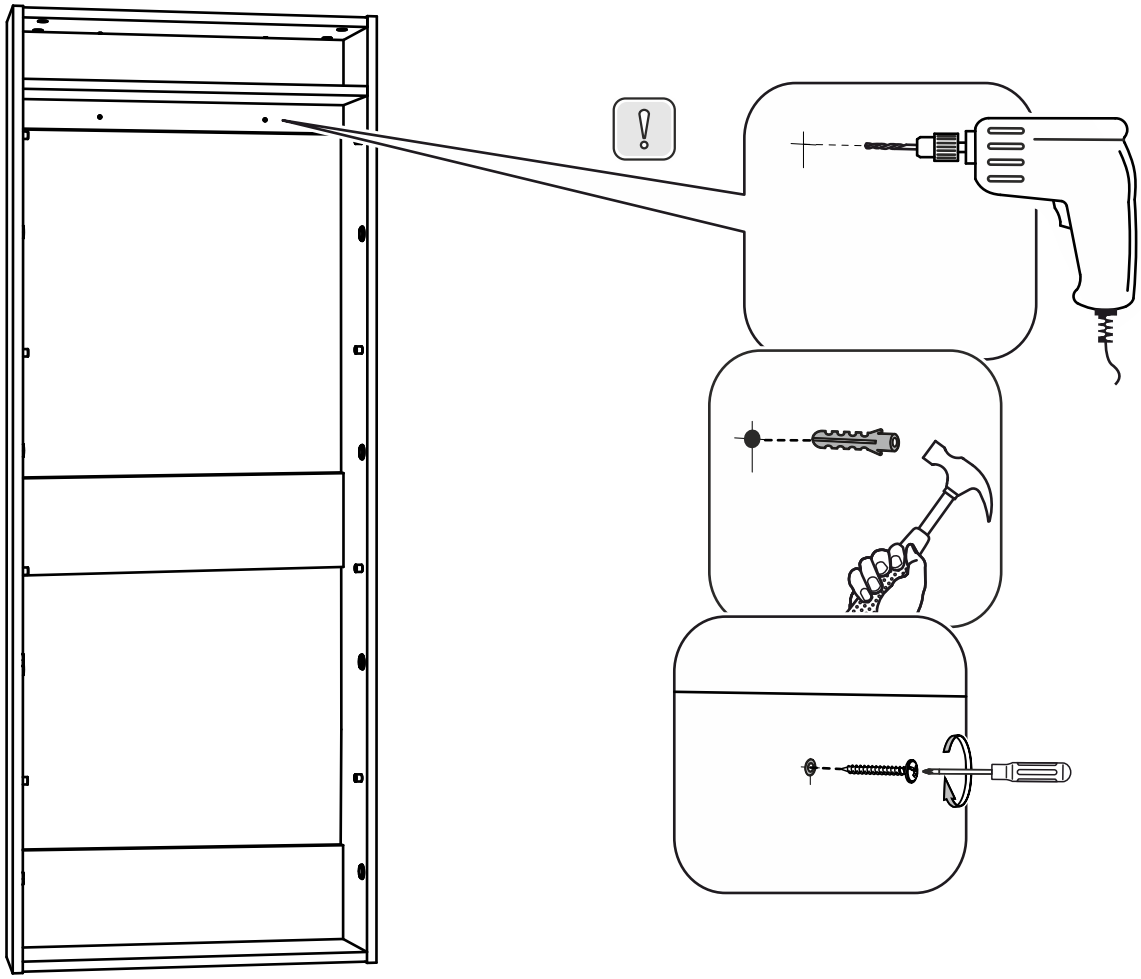
7



8



9



10

